

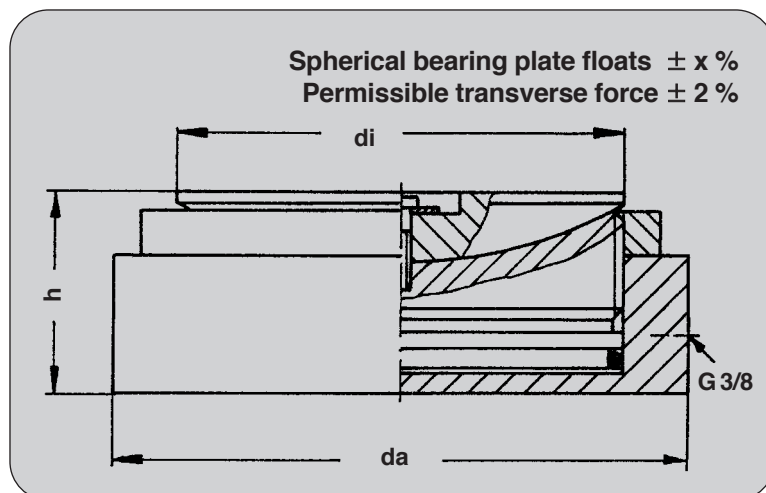
Eberspächer high-pressure hydraulics

Jacks with locking ring - extra flat



**630 bar
60 – 1000 t
20 mm stroke**

Jacks with locking ring – extra flat 630 bar stroke 20 mm



Type	Lifting load t	A cm ²	di mm	da mm	h mm	X %	W kg
ZE 6045	60	95	110	172	93	4	15
ZE 6046.1	100	154	140	202	95	4	20
ZE 6047.1	125	201	160	222	97	4	25
ZE 6048.1	160	254	180	242	98	4	30
ZE 6049.2	200	314	200	262	100	4	36
ZE 6050.4	240	380	220	282	103	4	43
ZE 6051.3	310	491	250	312	109	4	55
ZE 6052.2	390	616	280	342	114	4	70
ZE 6053.1	500	804	320	394	127	3	103
ZE 6054.2	640	1018	360	425	138	3	151
ZE 6055.1	790	1257	400	492	153	3	219
ZE 6056.1	1000	1590	450	553	170	2	309

- Jack suitable for restricted space conditions to facilitate replacement of bridge bearings.
- Extremely thin jack base – this therefore renders pressure distribution plates necessary.
- Wherever possible, the jack should be able to slide easily at the jack base or spherical bearing plate. It is necessary to equip the jack base or surface of the spherical bearing plate with sliding foil for this purpose. We recommend a stainless steel plate as the other sliding surface.
- If a spherical bearing plate which can move under load is required, it should be equipped with sliding foil within the curved section.



Eberspächer GmbH
high-pressure hydraulics

D-73219 Kirchheim/Teck · P. O. B. 1125 · Germany
Phone (07021) 95060-0 · Telefax (07021) 9506050 · www.eberspaecher.org