



# ***Eberspächer high-pressure hydraulics***

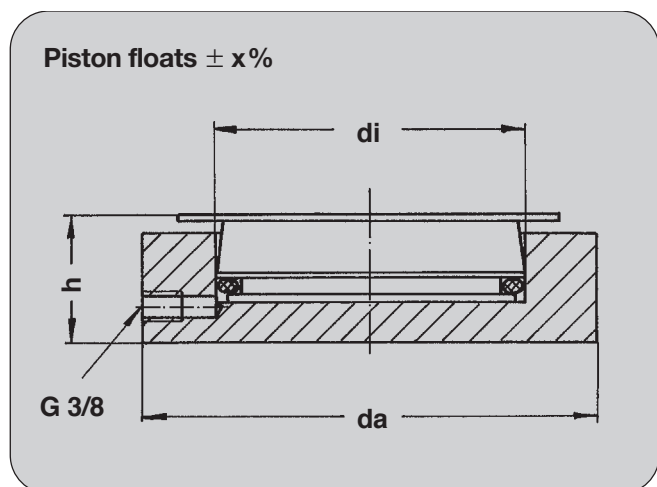
***Hydraulic flat jacks with floating piston***



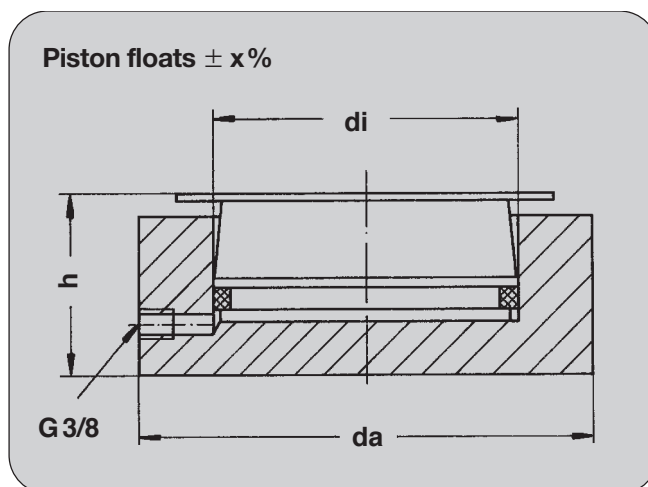
**160, 400 and 630 bar  
12 – 1000 t  
10 and 20 mm stroke**

# Hydraulic flat jacks with floating piston

## Series stroke 10 mm: 160 bar



## Series stroke 10 mm: 400 bar



## Series stroke 10 mm: 160 bar (Special design – extra flat)

Permissible transverse force: 3% of nominal lifting load

Type	Lifting load t	di mm	Ai cm <sup>2</sup>	da mm	h mm	x %	W kg	Oilvol. l
ZE 622	12	100	78,5	160	46	4	6	0,1
ZE 623	32	160	201	220	47	4	13	0,2
ZE 624	50	200	314	260	55	4	22	0,3
ZE 625	80	250	491	310	57	4	33	0,5
ZE 626	100	280	616	340	58	4	40	0,6
ZE 627	125	320	804	380	59	3	51	0,8
ZE 628	160	360	1018	421	60	3	64	1,0
ZE 629	200	400	1257	468	61	3	79	1,3
ZE 630	250	450	1590	570	58	2	90	1,6
ZE 631	315	500	1963	560	59	2	111	2,0
ZE 632	400	560	2463	624	60	2	148	2,5
ZE 633	500	630	3117	702	62	2	184	3,1

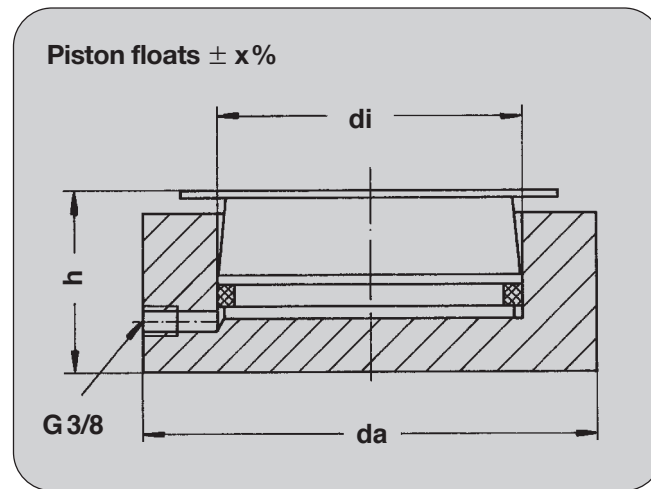
## Series stroke 10 mm: 400 bar

Permissible transverse force: 3% of nominal lifting load

Type	Lifting load t	di mm	Ai cm <sup>2</sup>	da mm	h mm	x %	W kg	Oilvol. l
ZE 6097.1	31	100	78,5	140	56	4	7	0,1
ZE 6098	60	140	154	186	60	4	13	0,2
ZE 6099	100	180	254	242	67	4	21	0,3
ZE 6100	150	220	380	300	68	4	36	0,4
ZE 6101	200	250	491	341	70	4	44	0,5
ZE 6102	250	280	616	381	71	4	60	0,6
ZE 6103	320	320	804	436	73	3	84	0,8
ZE 6104	400	360	1018	490	75	3	107	1,0
ZE 6105	500	400	1257	545	77	3	143	1,3
ZE 6106	630	450	1590	613	79	2	191	1,6
ZE 6107	785	500	1963	681	85	2	243	2,0
ZE 6108	1000	565	2507	769	86	2	308	2,5

# Hydraulic flat jacks with floating piston

## Series stroke 20 mm: 400 and 630 bar



## Series stroke 20 mm: 400 bar

Permissible transverse force: 3% of nominal lifting load

Type	Lifting load t	di mm	Ai cm <sup>2</sup>	da mm	h mm	x %	W kg	Oilvol. l
ZE 608.2	31	100	78,5	140	66	4	9	0,2
ZE 6031	60	140	154	186	70	4	15	0,3
ZE 6032	100	180	254	242	77	4	26	0,5
ZE 6033	150	220	380	300	78	4	41	0,8
ZE 611	200	250	491	341	80	4	54	1,0
ZE 612	250	280	616	381	81	4	70	1,2
ZE 613	320	320	804	436	83	3	95	1,6
ZE 614	400	360	1018	490	85	3	123	2,0
ZE 615	500	400	1257	545	87	3	155	2,6
ZE 617	630	450	1590	613	89	2	200	3,2
ZE 618	785	500	1963	681	95	2	264	4,0
ZE 634	1000	565	2507	769	96	2	339	5,0

## Series stroke 20 mm: 630 bar

Permissible transverse force: 3% of nominal lifting load

Type	Lifting load t	di mm	Ai cm <sup>2</sup>	da mm	h mm	x %	W kg	Oilvol. l
ZE 6185	60	95	110	150	4	70	10	0,2
ZE 6186	100	154	140	180	4	72	14	0,3
ZE 6187	125	201	160	200	4	74	18	0,4
ZE 6188	160	254	180	220	4	76	23	0,5
ZE 6189	200	314	200	240	4	77	28	0,6
ZE 6190	240	380	220	263	4	77	34	0,8
ZE 6191	310	491	250	308	4	80	45	1,0
ZE 6192	390	616	280	344	4	81	57	1,2
ZE 6193	500	804	320	393	3	83	75	1,6
ZE 6194	640	1018	360	443	3	87	102	2,0
ZE 6195	790	1257	400	492	3	91	131	2,5
ZE 6196	1000	1590	450	553	2	95	173	3,2

# Application – General

## Construction

The hydraulic jacks are extremely small in height. The jack bottoms are very thin and must be supported.

## Application

The jacks are used for lifting and compression of buildings, structures and machines. They are preferably used for adjustment during erection work, for correction of settlement and for exchanging of bearing elements.

## Limitation of use

When used on concrete parts, the hydraulic working pressure must be maintained so low that it conforms to the specific compressive load per unit area in the concrete. Improvement can be achieved by using suitable aluminium compression distribution plates – however, this requires an increased overall height. When used on steel parts, the neighbouring structural parts must be of bending-resistant design, because the jack, due to its thin bottom, cannot compensate the load imposed on it by the internal hydraulic pressure.

Transmission of bending moments and eccentric loads of the ram is minimal.

## Options

Corrosion protection for permanent installation.  
Acceptance test certificate.

Flat jacks are available up to 1000 bar working pressure.

Different strokes on request.

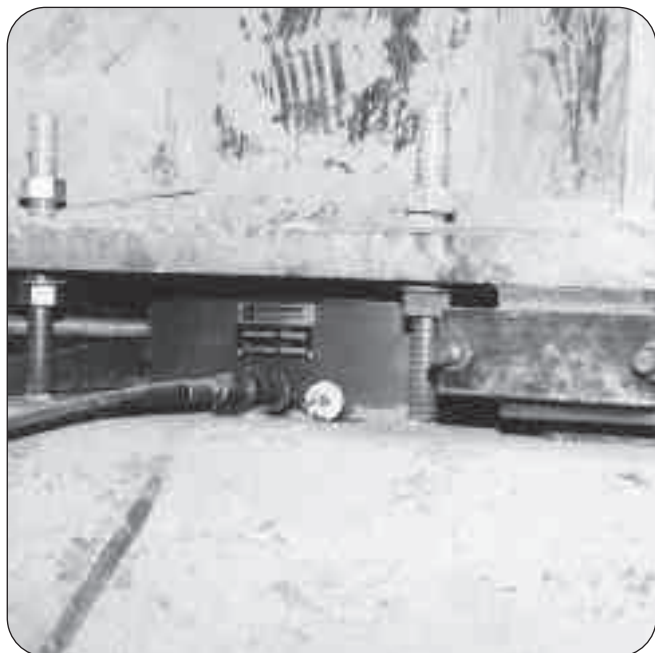
## Drive

Hand and motor pump units, distribution valves, tubing, couplers, etc. as specified in our data sheets. Flow dividers for synchronous lifting and lowering of unequally loaded jacks.

## Alternative series

For compact-size series, 630 bar, with guided piston and stroke stop, see data sheet ZE 085e.

For light-weight, heavy-duty flat jacks, 630 bar, see data sheet ZE 067e.



**Eberspächer** GmbH  
high-pressure hydraulics

D-73219 Kirchheim/Teck · P. O. B. 1125 · Germany  
Phone (07021) 95060-0 · Telefax (07021) 54575 · [www.eberspaecher.org](http://www.eberspaecher.org)